



Teknion dna™ Collaborative Lounge Seating & Tables



Connexion™ Task Chair



Connexion™ Guest Chair

**Teknion**

what's new

march 2010



Topic™ Conference/Visitor Chair



Amicus® – Redesigned



Vignette™ Seating and Tables Collection



*“Collaboration occurs at various sites and at any time of day as people share their knowledge, skills and experience to reach common goals. Recognizing that such interaction is vital to innovation, companies are giving space to open, informal settings throughout the office that invite interaction and provide an outlet for collective creativity.”*

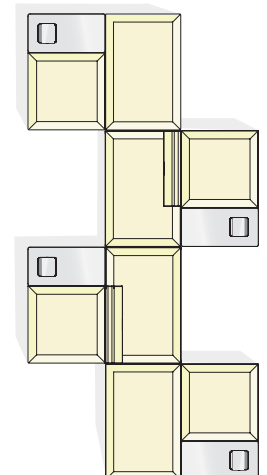
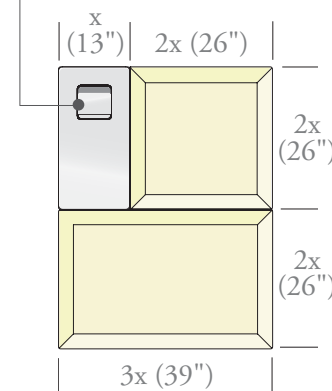
– WorkplaceOne Brochure

dna is a line of modular lounge seating and tables created by Denmark’s Acer Design in conjunction with Teknion’s in-house design team to go beyond the traditional requirements of lounge seating. The office lounge was originally intended to be a waiting space; usually in an area adjacent to the reception desk that took up a lot of space and was rarely used by employees. With more office space being dedicated to collaborative work settings, both within enclosed rooms and in the open plan, lounge furniture has migrated throughout the office. dna is designed to meet the needs of these new collaborative spaces for increased flexibility, reconfigurability, and access to power and communications.

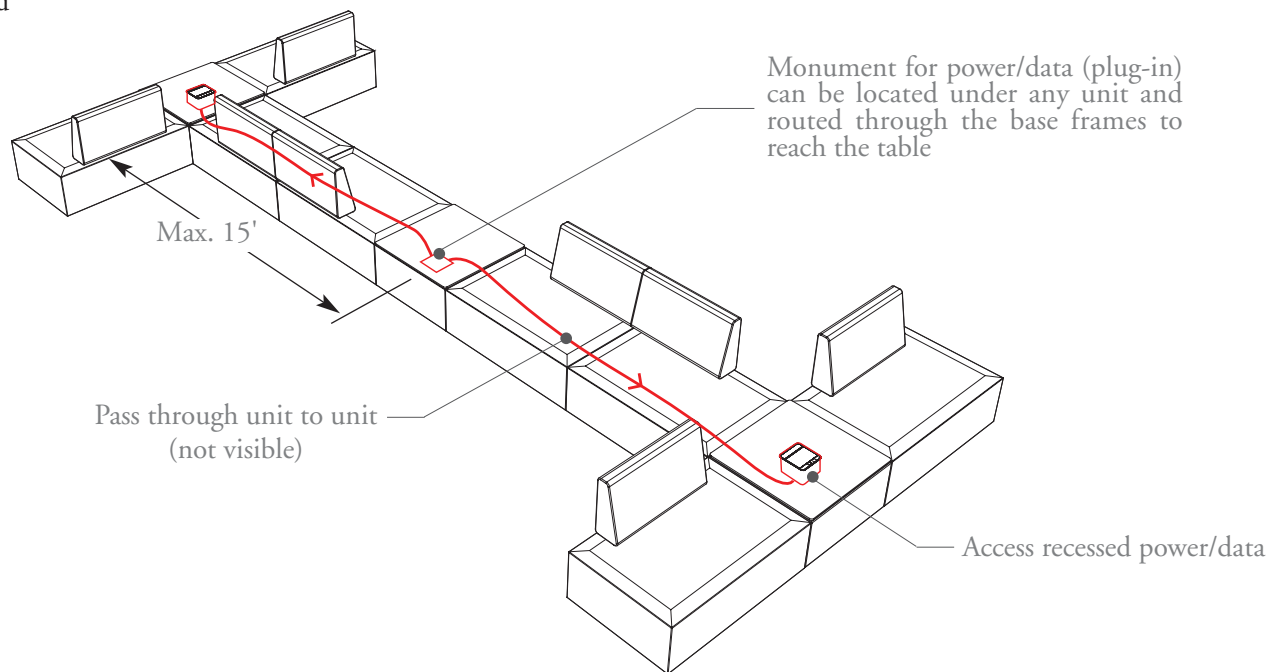
**dna Features**

- Modular design allows components to connect on all sides for maximum planning flexibility
- Modular units can be configured and reconfigured to accommodate small or large groups engaged in a variety of activities
- All components can be used standalone (except the side table)
- dna is user-reconfigurable to change as needs change
  - Optional bolster on benches can be repositioned by the user in three positions (left, right, center)
  - Non-linked units can be reconfigured and repositioned without tools

Optional power/data unit



- dna provides access to power and data to support technology needs
  - Optional power/data module is available on square and side tables
  - Bases were designed to facilitate access to power and feeding of cables throughout configuration
  - Linking brackets prevent components from being moved when routing cables
- Optional linking capability keeps seating together in open spaces and when routing cables
- Option to fasten all modular seating units to the floor if required



- Integrated and freestanding tables provide support for work, access to power and data, and laptop use
- Freestanding laptop table flips, and includes an integrated handle for mobility
- Flipped laptop tables can be nested for compact storage



Nesting Laptop Tables



Low-profile cluster provides multi-directional access and technology support.



Linear configuration provides floor plate division and side-to-side collaboration.



A more traditional layout can be used for reception or collaborative meeting areas.



Open-plan pod cluster illustrates planning benefits of the repositionable bolster.



Repeating cluster provides multi-directional access to promote side-to-side collaboration.

### dna Finishes

dna upholstery options provide a customized look using a wide range of standard, graded-in and COM fabrics. The bench and bolster are two separate components, allowing various upholstery combinations of solids, textures and small-scale patterns that can be contrasted with large-scale designs. Lower-grade fabrics can be mixed with higher-cost options to achieve desired design performance and cost goals.

Tables are available with Compact Laminate and veneer surfaces. Compact Laminate is available in Storm White, Warm Grey Coordinate, Cool Grey Coordinate and Ebony, with a distinct black edge. Compact Laminates offer the performance characteristics of HPL (high-pressure laminates). Teknion's Flintwood, Natural Veneer 2 and 3 are applied on a Baltic Birch substrate with an exposed straight edge, alluding to its Scandinavian design.



Compact Laminate edge



Veneer with Baltic Birch edge



### Connexion Task Chair

Connexion is an innovative task chair in which form and function merge. Designed by Girsberger, Connexion features a backrest with pioneering design. The backrest comprises a central structure of flexible slats connected on each side by springs, allowing it to react and adapt itself to users' back shapes and movements.

Providing relief, precise fit and dynamic support without manual adjustment, the unique slat-and-spring configuration becomes part of the chair's aesthetic, revealed by the transparency of the backrest textile. Connexion delivers ideal function enhanced by a sleek, appealing profile.



### Connexion Guest Chair

A natural complement to the task chair, the Connexion guest chair offers comfort, support and easy mobility whether applied in an office, open work area or conference room. Like the task chair, the innovative slat-and-spring backrest automatically conforms to the contours of the back for seated comfort. The guest chair nests, offering space-saving storage.

### Designed for the Environment

Connexion meets the most stringent GREENGUARD® Certification for Children & Schools Indoor Air Quality. The task chair is 92 percent recyclable and the guest chair 82.7 percent recyclable.

### Materials and Finishes

The Connexion backrest is available in transparent mesh or upholstered inner backrest. Frame options include Ebony and Polished Chrome.

All of Teknion's standard and graded-in fabrics have been application tested on Connexion. (See Fabrics & Finishes Program Guide for details.)

### About Girsberger

Girsberger was founded as a family enterprise in Zurich in 1889 and is today in the fourth generation led by CEO Michael Girsberger. The company offers a wide product range in office seating. In Europe, Girsberger is also known as a manufacturer and marketer of residential furniture. Girsberger's headquarters are in Buetzberg, near Berne, the capital of Switzerland. The company manufactures in Switzerland, Germany, Turkey and the U.S. and has sales offices in Germany, Austria, France, the Netherlands, Spain, Great Britain, Turkey and the U.S.



Topic is one of two new chairs designed by Swiss furniture manufacturer Girsberger that Teknion is launching in March. Topic brings a quiet elegance to the boardroom or conference room. Modern in profile, light in scale, Topic's gently contoured backrest ensures superior comfort.

#### Topic Features

- Ideal as a conference or visitor chair
- Provides shock-absorbing suspension for a high level of comfort and support
- Offers the option of full 360-degree swivel or swivel-return

All of Teknion's standard and graded-in fabrics have been application tested on Topic. (See Fabrics & Finishes Program Guide for details.)

#### amicus - redesigned



In 1999, Teknion launched what quickly became its foremost seating product – the Amicus task chair. Now, Amicus has been redesigned to take advantage of new materials and technologies, and to make it more reflective of today's seating industry standards and codes. As part of the redesign, Amicus now sports a more streamlined look with its thinner seat appearance combined with clean, outer-back upholstery.

#### Features of the redesigned Amicus chair include:

- improved compliance to North American seating standards including BIFMA X5.1 and BIFMA G12002 resulting from new 2D height- and width-adjustable arms, and redesigned 3D arms
- a structural seat with flex zones in the sitting bone area
- a 300-pound rating (Amicus has been tested to meet the needs of a seated 300-pound user, a new rating in the seating industry)

Amicus Guest Seating has not been affected by the redesign of the task chair.



Vignette is a seating and tables collection with a strong architectural presence. Designed for the contemporary office by Michael Vanderbyl of Vanderbyl Design, its generous proportions and sculptural forms provide a level of comfort that lends itself to conversation, casual conferencing and collaboration.

Vignette is at home in formal and informal meeting spaces, private offices and reception, lobby and lounge areas. It brings a residential feel to the office with an over-scaled Cube Lounge Chair, two- and three-seat Sofa and Swivel Lounge Chair with a deeply curved back. Coffee Tables with a cylindrical base coordinate with the base of the Swivel Lounge Chair and the polished metal legs of the Sofa and Cube Lounge Chair.

Vignette was designed for the environment. It meets the most stringent GREENGUARD® Certification for Children & Schools Indoor Air Quality. Vignette is manufactured at facilities certified to the ISO 14001 Environmental Management System. Its design allows for reupholstery of the sofa and chairs, extending the life cycle of the furniture. Vignette is recyclable.

#### Materials and Finishes

- Upholstered pieces are available in Teknion's standard and graded-in fabrics, and COM
- The Sofa and Cube Lounge Chair feature chrome legs; the Coffee Tables and Swivel Lounge Chair are designed with coordinating chrome cylindrical base
- Round and square Coffee Tables are available in various surface materials for a choice of looks, including Seamless Color, Flintwood, Natural Veneer and the new finishes Solid Surface and Carrara Marble
- Solid Surface, White has a smooth, satiny feel with an incorporated edge. It is made from a 100 percent acrylic-based surface that is low-maintenance and easy to clean
- Carrara Marble is an elegant, natural material found in classic architecture and modernist design

## f a b r i c s   a n d   f i n i s h e s



Belize

### New Side Panels

Belize side panels are now offered in Foundation Laminate.



Visio

### New Flexweave Color

Banner Red has been added to the Flexweave color offering for Visio.

## a v a i l a b i l i t y

Order entry will be effective **Monday, March 22, 2010** with standard lead times applying to all deliveries, with the following exceptions:

- Connexion and Topic will have an initial lead time of six weeks
- Vignette will have an initial lead time of six weeks
- Teknion dna will have an initial lead time of 10 weeks

Design Express and Giza Catalog CDs will also be available at this time. Orders based on existing Price Guide information will be accepted until midnight on **Sunday, March 21, 2010.**

## l a u n c h   i n s t r u c t i o n s

### what's inside

This package contains marketing materials that support Teknion's March 2010 Product Launch. Your package will contain *all or a combination* of these pieces. If you require additional information please contact your local Teknion Sales Representative.

Please replace existing corresponding material with the ones listed below. The existing piece should be recycled by utilizing your on-site facility recycle boxes.

### brochures

Product Literature 02 Binder

Tab: Seating

- Connexion
- Vignette
- Topic

### revised / updated e-guides

The following guides include product updates and are available online at [www.teknion.com](http://www.teknion.com)

- Seating Price & User Guide
- Fabrics & Finishes Program Guide